

STS Seaplane

Wing Span- 44 in.

Length- 32 in.

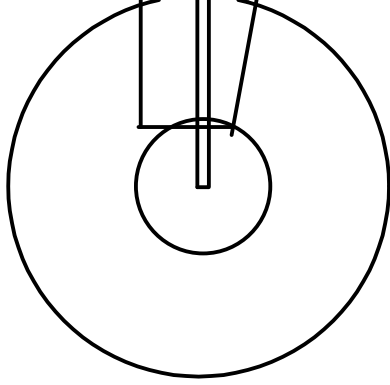
AUW- w/floats 18oz.
w/gear 16 oz.

Motor- GWS350 D gear

Prop- 9-11 inch

Battery- 800-1500 3 cell

All text, graphics, and pictures Copyright@2005 Charles Pi
All right reserved. Unauthorized use or duplication
is prohibited by U.S. and International copyright laws.



Bottom Fuse

Battery-830-1500ma
2-3 cell

Center Fuse Joiner



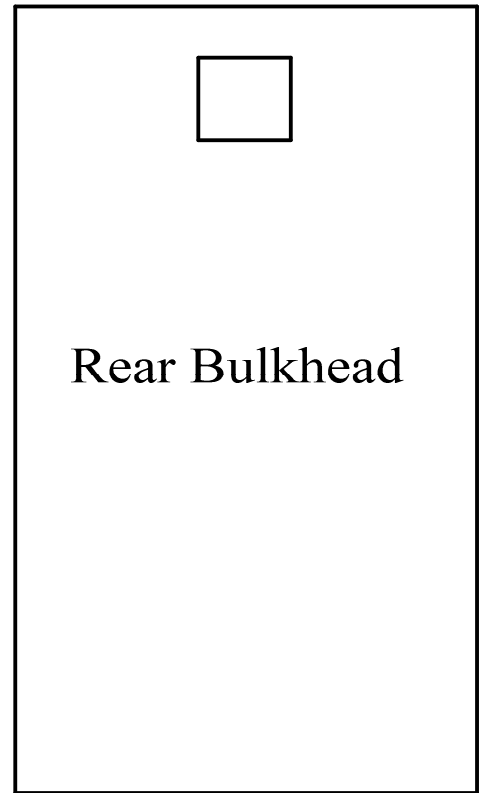
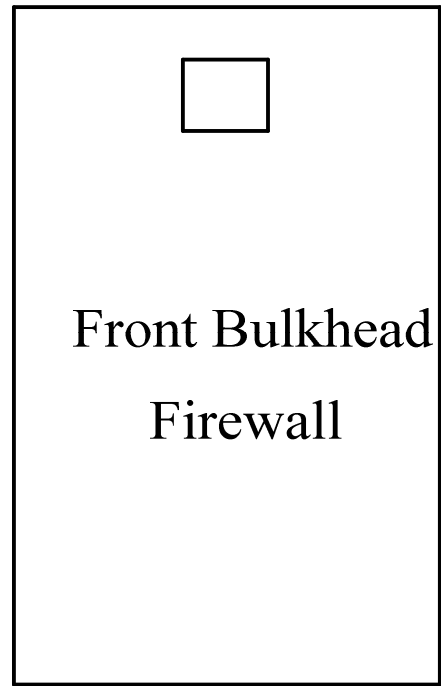
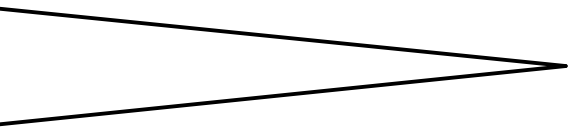
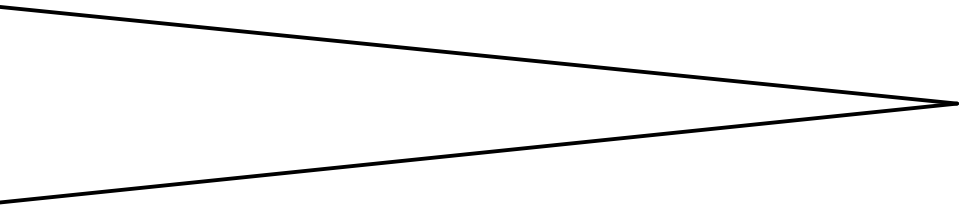
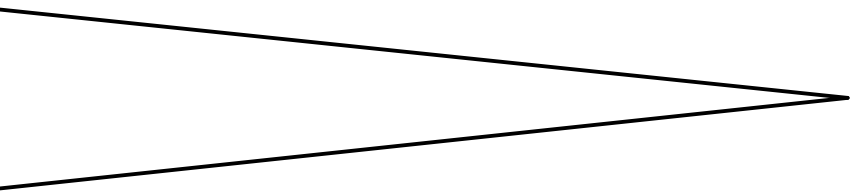
Servos



irkey Butt pages together Do not overlap

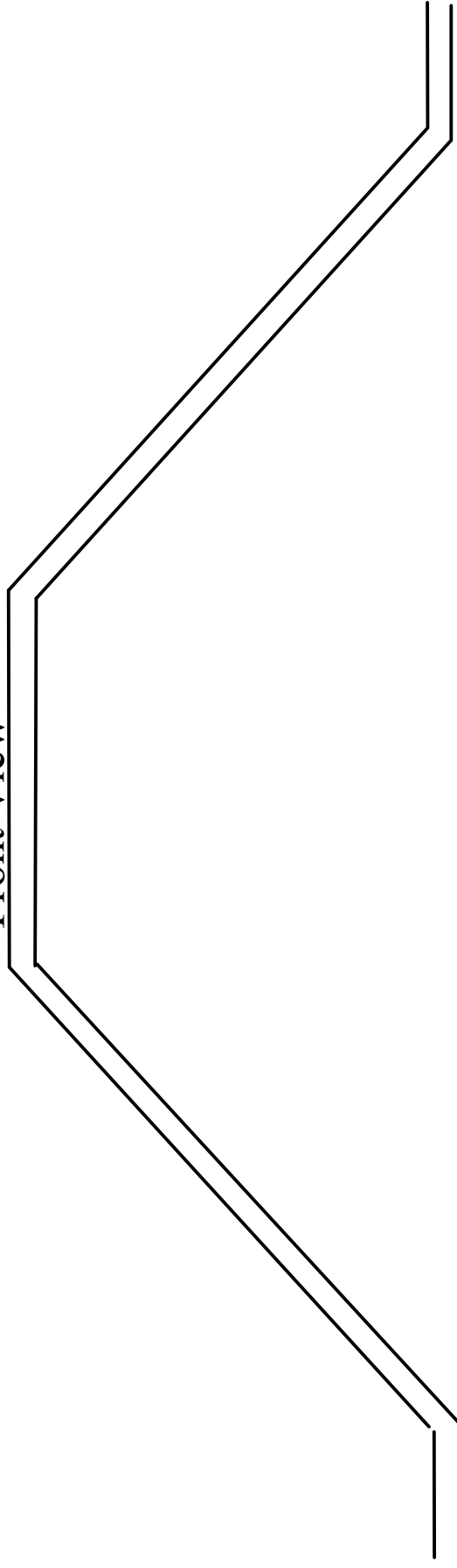


Top Fuse

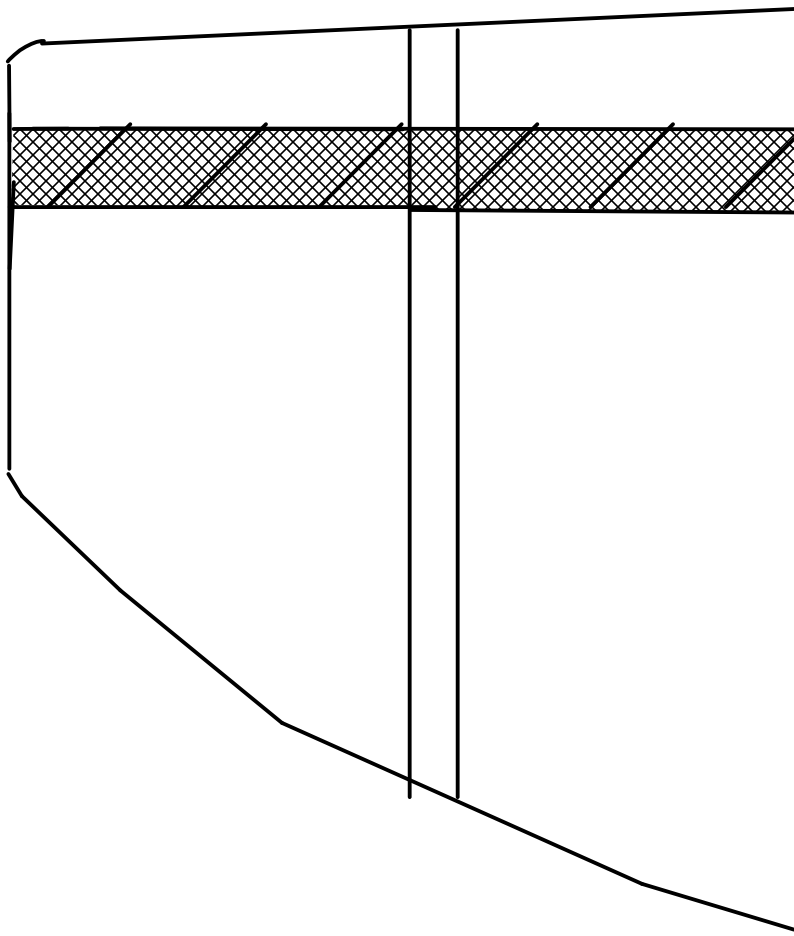


Float/Landing Gear

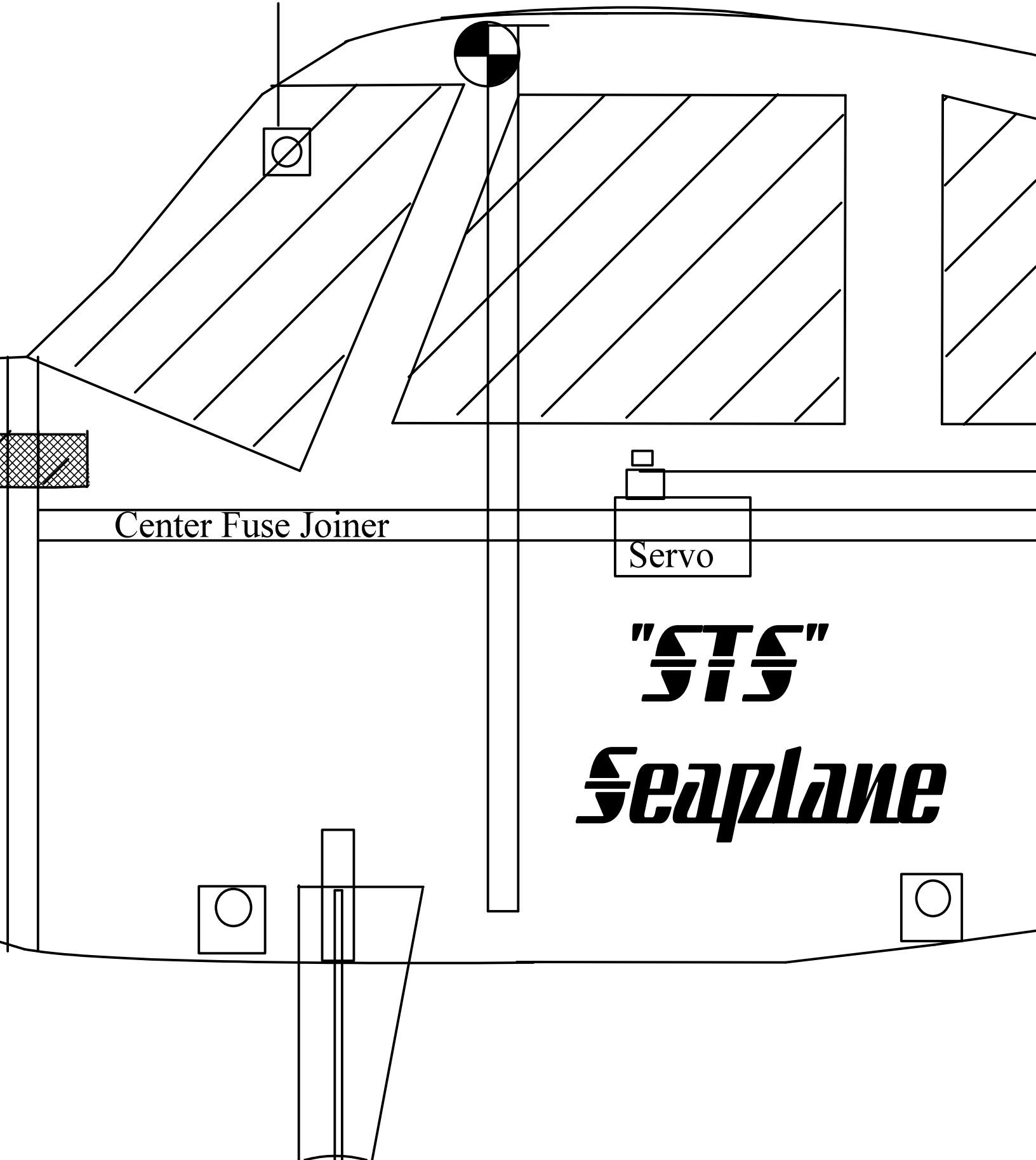
Front View



Engine Cowling



Leading Edge of Wing



Center Fuse Joiner

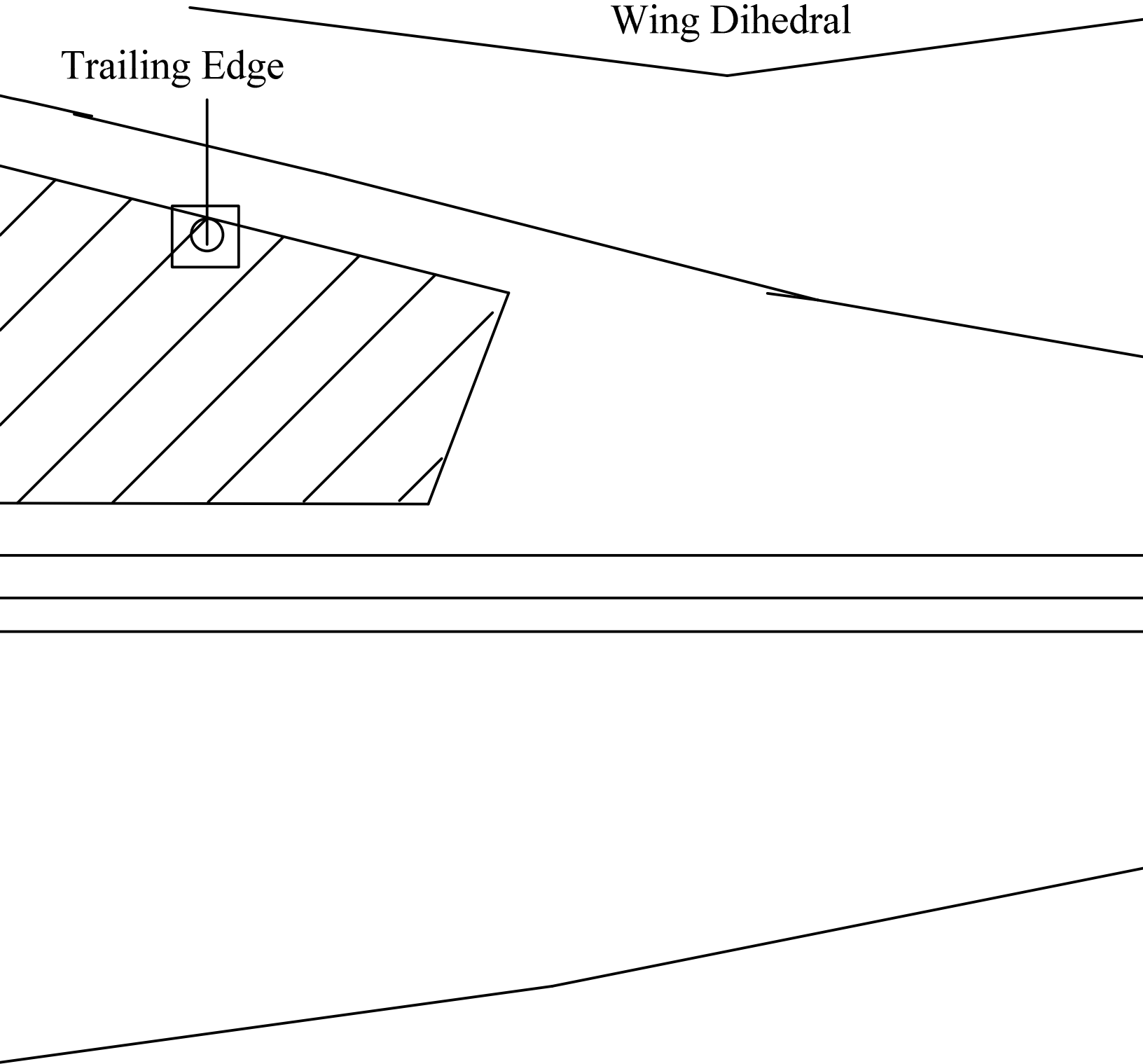
Servo

"STS"

Seaplane

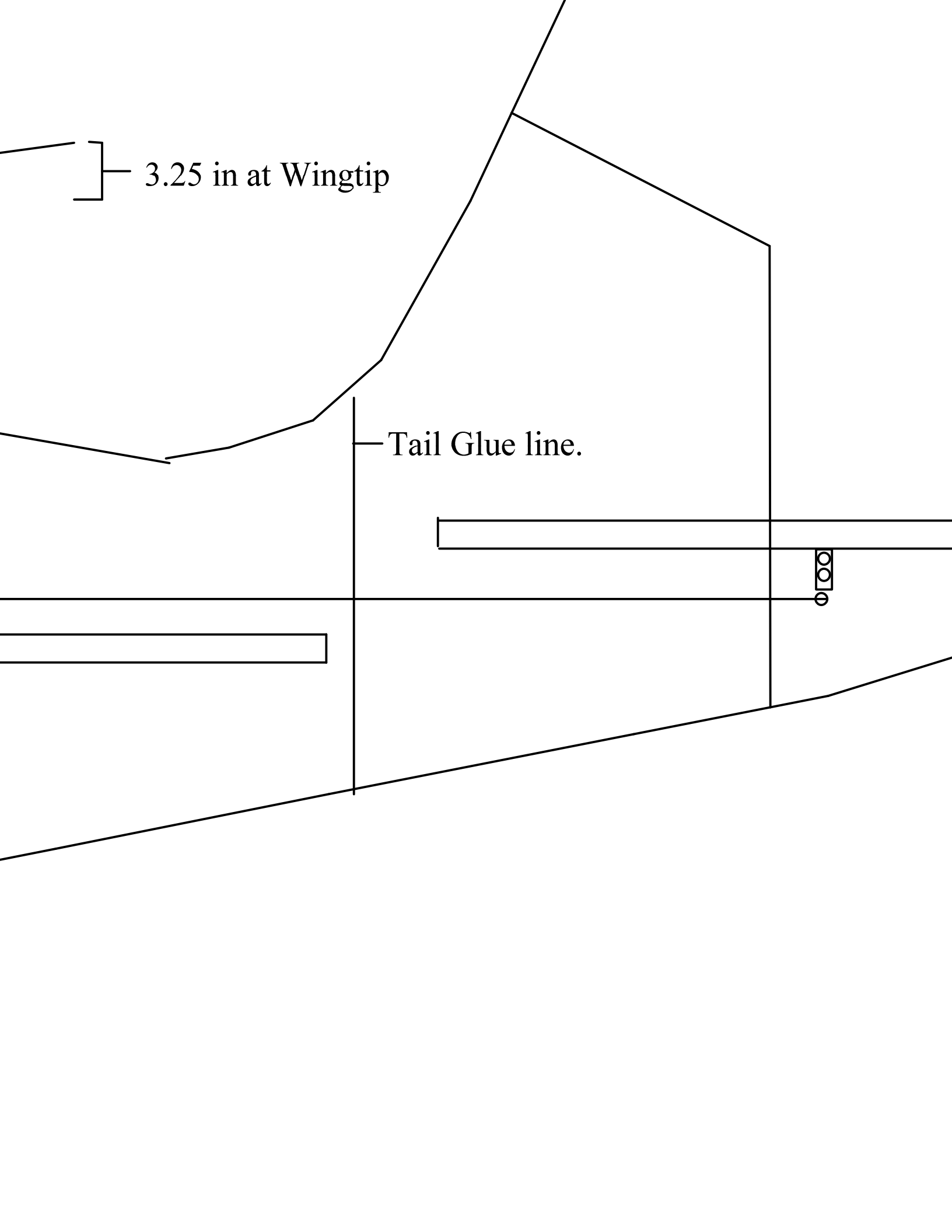
Wing Dihedral

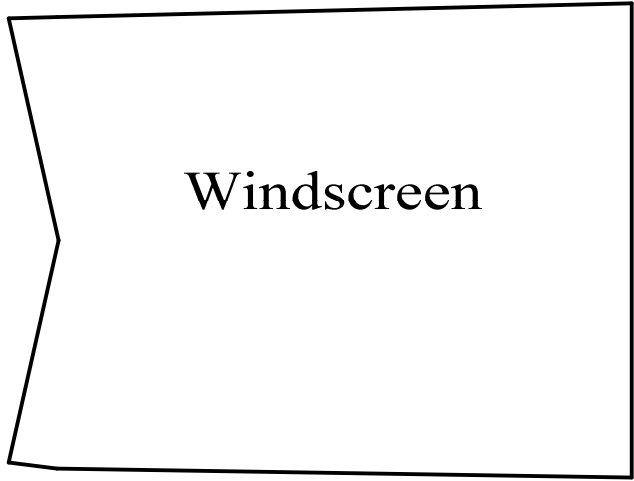
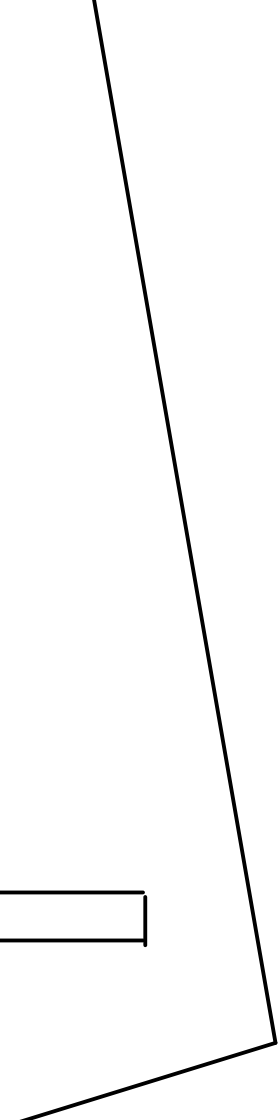
Trailing Edge



3.25 in at Wingtip

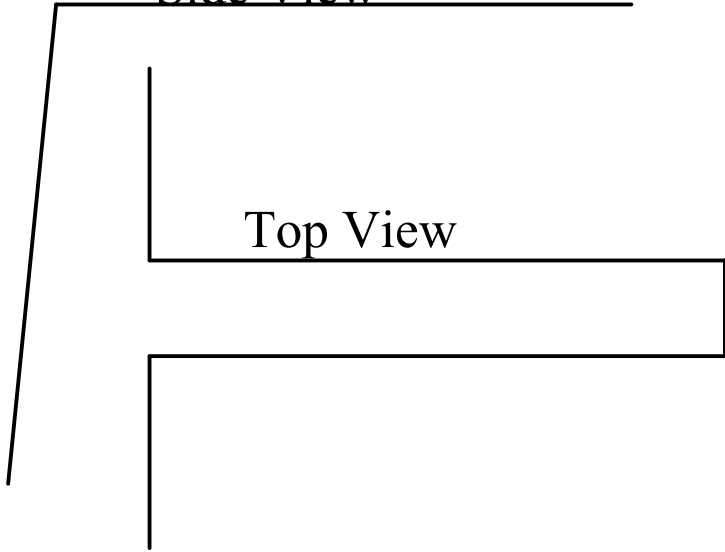
Tail Glue line.



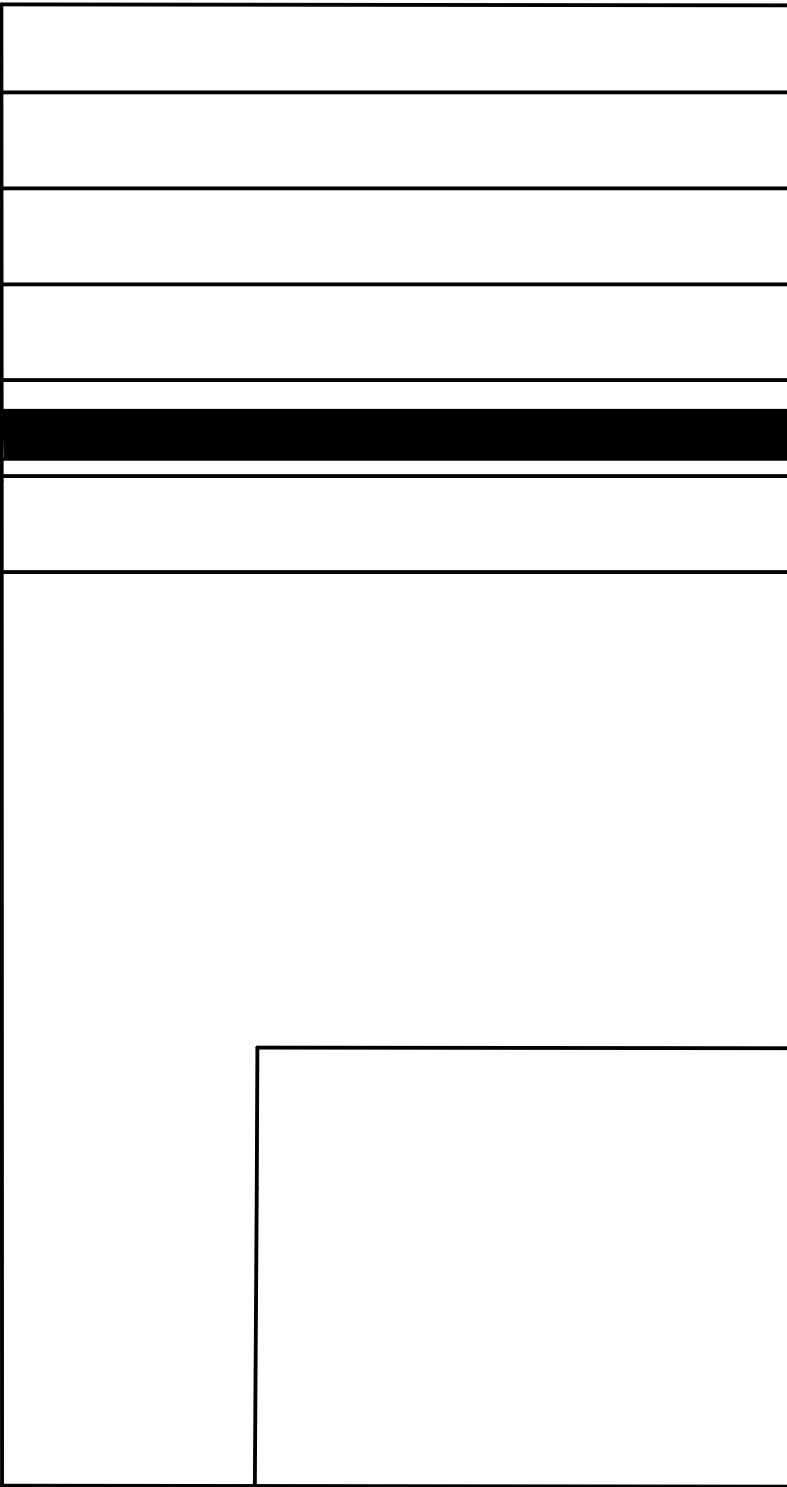


Float/Landing Gear

Side View



Top View



Bend Line

Bend Line

Bend Line

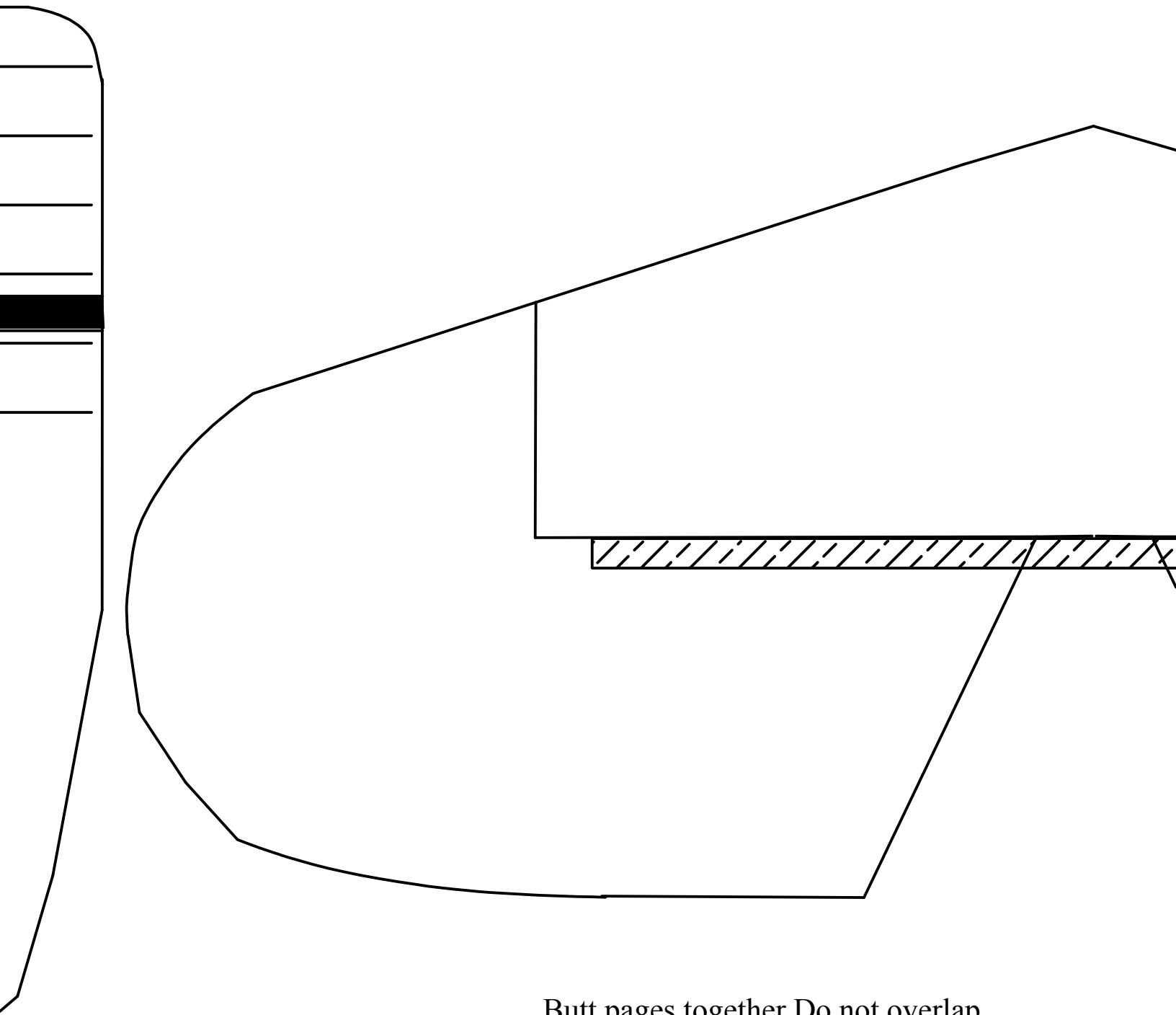
Bend Line

Optional Carbon Fiber Spar

Bend Line

Optional Ailer

ons



Butt pages together Do not overlap

